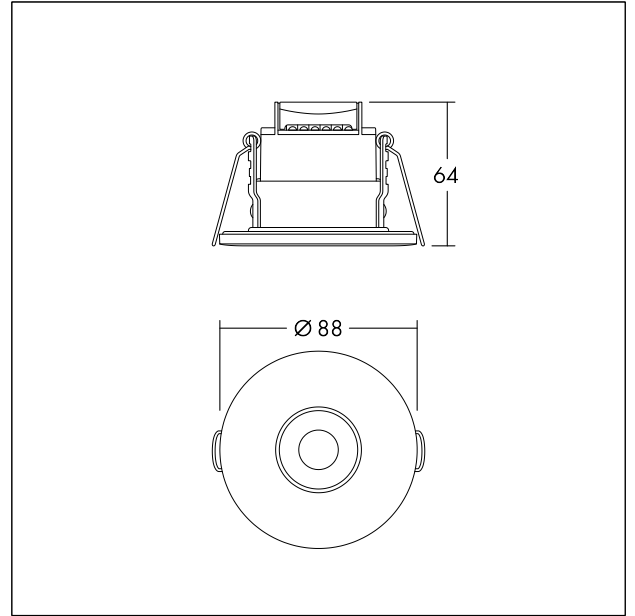


Fire-rated downlight

Fire-rated downlight, IP65_IP20 (from the room side) for recessed installation, 30/60/90 min certified. Integrated connector for easy and tool-free wiring with loop-in loop-out possibility and pull-out protection. Ceiling cutout \varnothing 68 mm. Wide beam angle (60°). Total luminous flux: 550 lm. Luminaire input power: 6 W, Luminaire efficacy: 92 lm/W, correlated colour temperature (CCT) adjustable via switch for 3000K (warm white), 3500K (neutral white) or 4000K (cold white) to suit application use. Lifetime: 50.000hrs @L70. Colour Rendering: CRI > 80, Chromaticity tolerance (initial MacAdam): 5. Body: Steel, PC. Lens: PC. Bezel: ABS. LED driver suitable for use with leading and trailing-edge dimmer switches. Supplied with a white plastic bezel. Available accessory: TECO SYLVIE TRIM NIC. Dimensions: \varnothing 88 x 64 mm, weight: 0.18 kg.



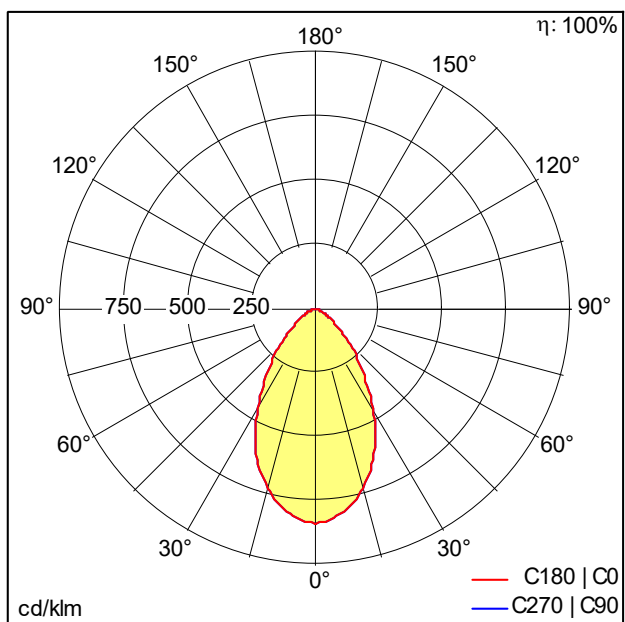
TE_SYLVIE_F_PERSP_WH.jpg



TE_SYLVIE_M_SYLVIE.wmf

Light Distribution

STD - standard



TE_SYLVIE_VARIO_68_550_840.ltd

- Light Source: LED
- Luminaire luminous flux*: 550 lm
- Luminaire efficacy*: 92 lm/W
- Colour Rendering Index min.: 80
- Correlated colour temperature*: 3000-4000 Kelvin
- Chromaticity tolerance (initial MacAdam): 5
- Rated median useful life*:
L70 50000 h at 25 °C
- Ballast: 1x LED_Con
- Luminaire input power*: 6 W Power factor = 0.85
- Dimming: PCDCG dimmable to 10%
- Maintenance category CIE 97: D - Enclosed IP2X
- Total harmonic distortion (THD): 30.00 %

All values marked with an * are rated values. Connected electrical load and luminous flux are subject to an initial tolerance of +/- 10%, the most similar colour temperature is subject to an initial tolerance of +/- 150K. Unless stated otherwise, the values apply to an ambient temperature of 25°C.