

LED batten

A fast install and versatile IP20 batten with press release buttons for quick opening and installation. Reliable integrated LED technology, ensuring maintenance-free installation and a long lifetime. Homogeneous illumination. Direct replacement for conventional battens in terms of light performance and length. Piano-key terminals, enabling loop-in loop-out. ENEC certified driver.

Body: sheet metal, white finish (RAL 9002).

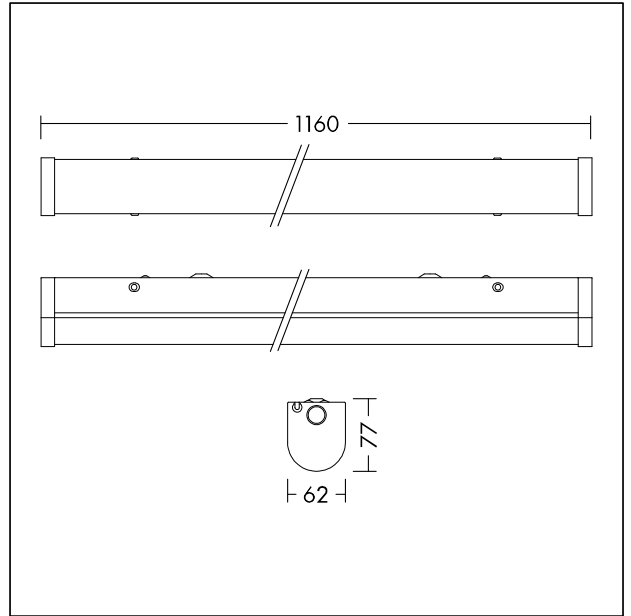
Diffuser: polycarbonate, opal.

End caps: polycarbonate, white (RAL 9002).

Weight: 2 kg



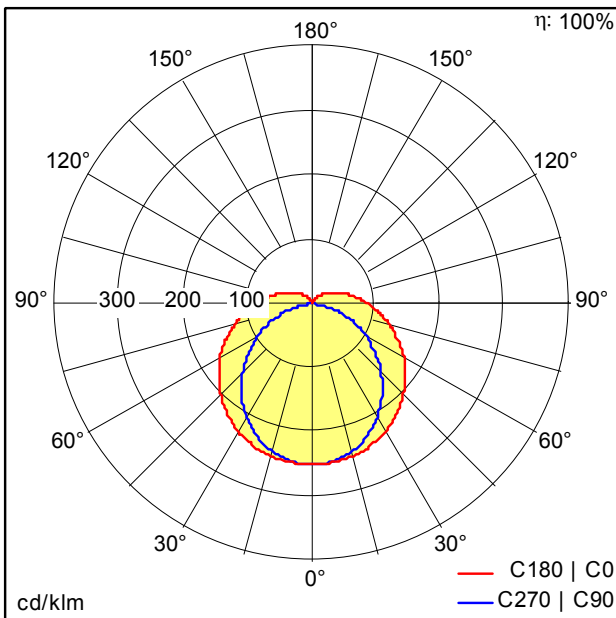
TE\_POPPY\_F\_persp.jpg



TE\_POPPY\_M\_1200.wmf

Light Distribution

STD - standard



TE\_POPPY\_LED\_1200\_5000\_840.idt

- Light Source: LED
- Luminaire luminous flux\*: 5000 lm
- Luminaire efficacy\*: 104 lm/W
- Colour Rendering Index min.: 80
- Correlated colour temperature: 4000 Kelvin
- Chromaticity tolerance (initial MacAdam): 5
- Rated median useful life\*:  
L70 50000h at 25°C
- Ballast: 1x LED\_Con
- Luminaire input power\*: 48 W Power factor = 0.9
- Dimming: Fixed output

All values marked with an \* are rated values. Unless stated otherwise, the values apply to an ambient temperature of 25°C.