

ROBUS®

DOWNLIGHTS

ULTIMUM LED FIRE RATED

5W, 7W, 5/7W, IP65



PRODUCT INFORMATION DOCUMENT

FEATURES

- Dimmable with selected trailing and leading-edge dimmers. Dimmer Compatibility List available on the website
- Single colour, CCT3 and dual wattage versions
- Tested for use with I-Joists & Metal Web Joists
- Solid State technology with no heat filaments or electrodes
- Fire, Moisture and Acoustic rating tested
- Low profile body design
- ROBUS 3 pole connector with two push-in spring terminals per pole and cable restraint

CONSTRUCTION

- Polycarbonatrim and LEDchroic lens optic
- Die-cast aluminium heatsink
- Pressed steel and polycarbonate body



WARRANTY



LUMINAIRE LIFETIME



LUMENS PER W



FIRED RATED



IP RATING



OPERATING VOLTAGE



BEAM ANGLE



DIMMING



CCT



SAFETY CLASS

Product Code:	RUL0530-01 RUL0540-01	RUL0730-01 RUL0740-01	RUL05X0-01	RUL07X0-01	RUL050730-01	RUL050740-01
Comparable to:	50W halogen	50W halogen	50W halogen	50W halogen	50W halogen	50W halogen
Total Power (W):	4.7	6.7	4.7/4.6/4.9	6.8/6.6/6.8	4.8/6.7	4.9/6.7
Power Factor:	0.9	0.9	0.9	0.9	0.9	0.9
Total Light Output (lm):	410/440	630	400/450/420	520/610/550	490/640	540/690
Emergency Light Output (lm):	310/320	350	NA	NA	NA	NA
Efficacy (lm/cctw):	87/94	94	86/99/88	77/94/83	103/96	111/104
Lux at 1m (lux):	390/420	750	280/310/290	670/700/570	410/540	450/570
Emergency Lux at 1m (lux):	300/310	360	NA	NA	NA	NA
CCT (K):	3000/4000	3000	3000/4000/6000	3000/4000/6000	3000	4000
CRI:	80	80	80	80	80	80
IP:	65	65	65	65	65	65
Operation Temperature (°C):	-20 ≤ Ta ≤ +40	-20 ≤ Ta ≤ +40	-20 ≤ Ta ≤ +40	-20 ≤ Ta ≤ +40	-20 ≤ Ta ≤ +40	-20 ≤ Ta ≤ +40
Inrush Current:	8A/10us	7A/2us	10A/10us	8A/1us	10A/2.2us	10A/2.2us
RG Value:	0	0	0	0	0	0
SDCM:	<6	<6	<6	<6	<6	<6
P _{ST} LM:	0.1	0.1	0.1	0.1	0.0	0.1
SVM:	0.4	0.8	0.4	0.8	0.7	0.8
Energy Class:	F	F	F	F	F	F
Rated Life to L70B50 (Hrs):	36000	36000	36000	36000	36000	36000
Dimensions ØxH (mm):	85x60	85x60	85x60	85x60	85x60	85x60
Cut Out (mm):	72	72	72	72	72	72
Weight (kg):	0.24	0.24	0.24	0.24	0.24	0.24

Separate Control Gear Information

Type of Light Source:	NA	NA	NA	NA	NA	NA
Full Load Efficiency (%):	NA	NA	NA	NA	NA	NA
P _{NET} (W):	NA	NA	NA	NA	NA	NA
Dimensions (mm):	NA	NA	NA	NA	NA	NA

Product is certified to all the relevant standards.

Please contact our technical department for market specific compliances.

PLEASE NOTE: INFORMATION IN THIS DOCUMENT MAY BE SUBJECT TO CHANGE WITHOUT PRIOR NOTICE

IRE: TEL: +353 1 709 9000
 UK: TEL: 0800 973 220
 AUS: TEL: +61 7 3890 5444
 NZ: TEL: +64 03 668 5285

WEB: ROBUS.COM
 WEB: ROBUS.COM
 WEB: ROBUS.COM.AU
 WEB: ROBUSLED.CO.NZ

LED GROUP EUROPE · UK · AUSTRALIA · NEW ZEALAND · ASIA · MIDDLE EAST · AFRICA

ROBUS®

DOWNLIGHTS

ULTIMUM LED FIRE RATED

5W, 7W, 5/7W, IP65

Cone Illuminance Diagram

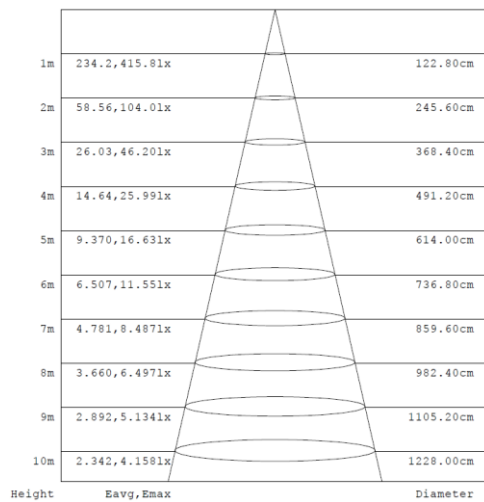
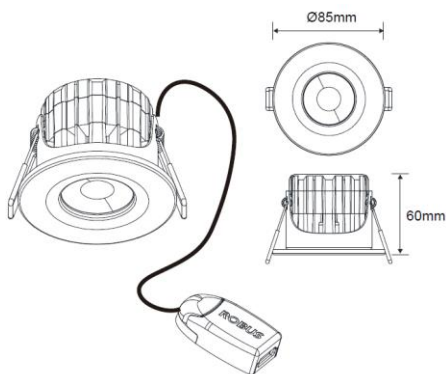


Diagram for RUL050730-01 in 5W. Other diagrams available on request

Dimension Diagram



Sensor Data

Time Off Delay:	NA
Illuminance Switching Range:	NA
Sensitivity Range (%):	NA
Mounting Height (max):	NA
Detection Zone Diameter (max):	NA

Polar Intensity Diagram

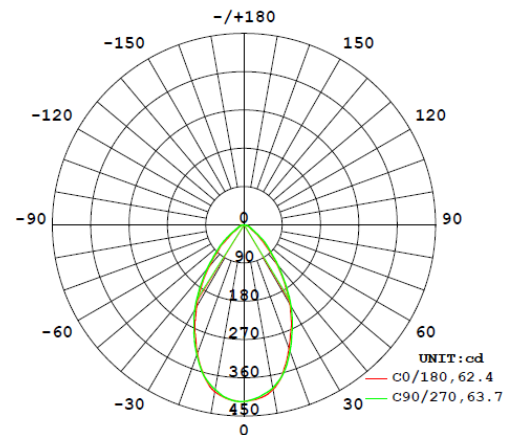


Diagram for RUL07X0-01 in 6000K. Other diagrams available on request

Accessories

RULTRIM-03	Chrome Trim
RULTRIM-10	Matt Black Trim
RULTRIM-13	Brushed Chrome Trim

PLEASE NOTE: INFORMATION IN THIS DOCUMENT MAY BE SUBJECT TO CHANGE WITHOUT PRIOR NOTICE

IRE: TEL: +353 1 709 9000
 UK: TEL: 0800 973 220
 AUS: TEL: +61 7 3890 5444
 NZ: TEL: +64 03 668 5285

WEB: ROB.US.COM
 WEB: ROB.US.COM
 WEB: ROB.US.COM.AU
 WEB: ROB.US.LED.CO.NZ

LED GROUP EUROPE · UK · AUSTRALIA · NEW ZEALAND · ASIA · MIDDLE EAST · AFRICA