

# ROBUS®

OUTDOOR

## MINIERA LED WALL LIGHT

1x4W, 2x4W, IP54



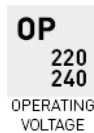
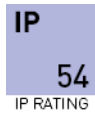
### PRODUCT INFORMATION DOCUMENT

#### FEATURES

- Suitable for use in domestic and commercial outdoor applications for wallwashing and path illumination
- LED replacement for 30W/ 2x30W halogen fittings
- Equipped with high quality CREE LEDs ensuring luminaire's reliability and high output
- Suitable for switching by PIR, Microwave or Photocell sensors

#### CONSTRUCTION

- Die cast aluminium housing with hardened glass diffuser
- 3-way screw connector block
- Stainless steel screws



Product Code:	RMN0430-04	RMN20430-04
Comparable to:	30W halogen	2x30W halogen
Total Power (W):	3.9	7.3
Power Factor:	0.55	0.8
Total Light Output (lm):	360	730
Total Emergency Light Output (lm):	NA	NA
Efficacy (lm/cctW):	92	100
Lux at 1m (lux):	520	520
Emergency Lux at 1m (lux):	NA	NA
CCT (K):	3000	3000
CRI:	80	80
IP:	54	54
Operation Temperature (°C):	-20 ≤ Ta ≤ +45	-20 ≤ Ta ≤ +45
Inrush Current:	5A/20us	12A/30us
RG Value:	0	0
SDCM:	6	6
Pst LM:	NA	NA
SVM:	NA	NA
Energy Class:	D	D
Rated Life to L70B50 (Hrs):	30000	30000
Dimensions LxWxH (mm):	106x84x85	108x84x110
Weight (kg):	0.58	0.81

Separate Control Gear Information		
Type of Light Source:	LED	LED
Full Load Efficiency (%):	76	80
P <sub>NET</sub> (W):	NA	NA
Dimensions (mm):	48x27x20	54x28x21

Product is certified to all the relevant standards.

Please contact our technical department for market specific compliances.

PLEASE NOTE: INFORMATION IN THIS DOCUMENT MAY BE SUBJECT TO CHANGE WITHOUT PRIOR NOTICE

IRE: TEL: +353 1 709 9000  
 UK: TEL: 0800 973 220  
 AUS: TEL: +61 7 3890 5444  
 NZ: TEL: +64 03 668 5285

WEB: ROBUS.COM  
 WEB: ROBUS.COM  
 WEB: ROBUS.COM.AU  
 WEB: ROBUSLED.CO.NZ

LED GROUP EUROPE · UK · AUSTRALIA · NEW ZEALAND · ASIA · MIDDLE EAST · AFRICA

### MINIERA LED WALL LIGHT

1x4W, 2x4W, IP54

#### Cone Illuminance Diagram

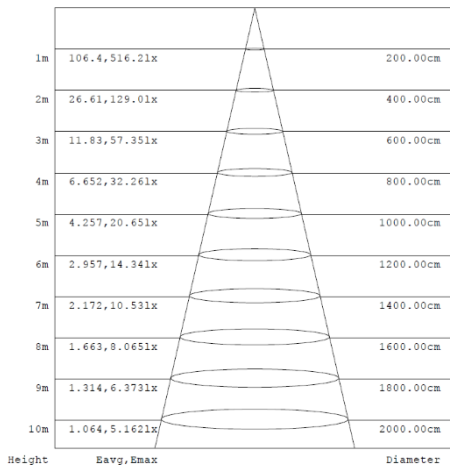


Diagram for RMN20430-04 in 3000K. Other diagrams available on request

#### Polar Intensity Diagram

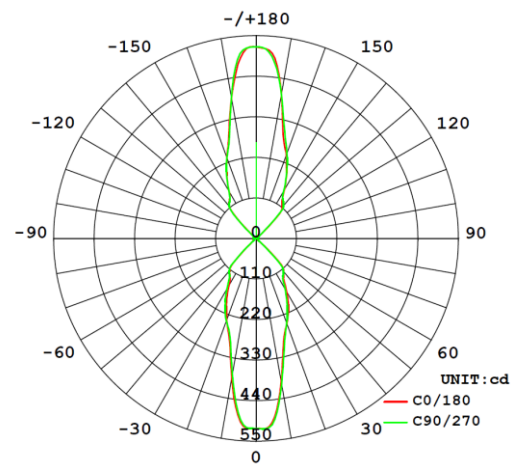
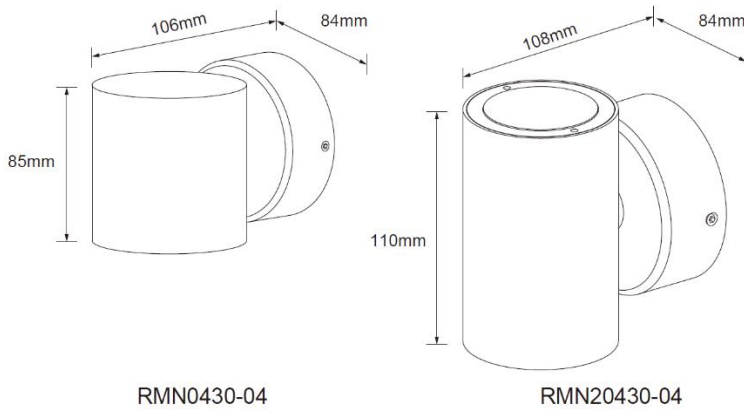


Diagram for RMN20430-04 in 3000K. Other diagrams available on request

#### Dimension Diagram



RMN0430-04

RMN20430-04

#### Accessories

NA

#### Sensor Data

Time Off Delay:	NA
Illuminance Switching Range:	NA
Sensitivity Range (%):	NA
Mounting Height (max):	NA
Detection Zone Diameter (max):	NA

PLEASE NOTE: INFORMATION IN THIS DOCUMENT MAY BE SUBJECT TO CHANGE WITHOUT PRIOR NOTICE