

SURFACE FITTINGS

ROBUS®

GOLF 10W AND 15W LED, 3,000K, 4,000K & 6,500K CCT SELECTABLE SURFACE FITTINGS, IP65, WHITE

Combined with tremendous energy and maintenance cost savings, and reduction in CO₂ emissions, this great enhancement to the traditional single colour temperature LED Golf range allows the light colour to be selected after fitout to best optimise the colour, tones, hues and use of the lit space



Applications:

- Commercial office:
 - Corridors
 - Toilets
 - Kitchens
- Retail shops
- Nursing home communal & personal space
- Apartment access stairs & corridors
- Hotel reception
- Sports centre changing rooms

Construction:

Polycarbonate Body & Trim
Polycarbonate Opal diffuser
Metal gear tray
Laminate PCB

Features:

- Bi-colour LED PCB with 3 colour temperature mixer selection switch
- Provides a great combination of functionality:
 - Standard
 - Integral Microwave with sensitivity, time-off delay and lux switching point adjustment
 - Emergency versions
 - Dual Power & 3 step corridor function available
- Traditional design
- High impact white polycarbonate construction (IK09-EN62262)
- Polished chrome trim accessory
- High efficiency pro-diffuser
- Utilises high quality SMD LED's which provide:
 - High luminous flux with low lumen depreciation over life
 - Low power consumption
 - High efficacy
 - Long rated LED life
- Solid state technology

Benefits:

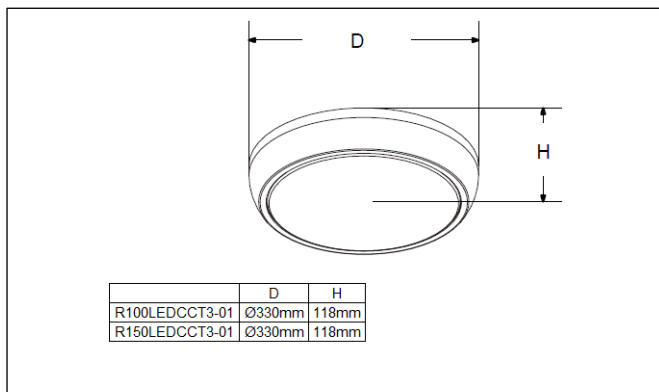
- Allows warm, neutral or daylight colour temperatures to be selected
- Colour temperature can be selected on completion for best effect in the lit space depending on décor colours implemented
- CCT can easily and quickly be changed if future use or décor changes
- Most lighting applications and control scenarios are catered for
- Further energy savings can be achieved by only switching light on when occupancy is detected
- High output emergency operation for safe traverse of the building when power fails
- Provides background light for Achluophobia sufferers
- The accepted aesthetics "norm" for most installation types
- Strong and durable protection against accidental or malicious abuse
- Suitable for matching bathroom fittings & furniture
- Diffuser material:
 - Allows maximum light transmission
 - Reduces glare
 - Creates even light distribution without dark or hotspots
 - Aesthetically pleasing as the individual LED's are not visible
- Comparable light output to replace 28W or 38W 2D "one for one" with low lumen depreciation or colour temperature shift
- Low energy, making savings of over 65% compared to 2D
- Complies with the requirements of Part L and current ETCL for ECA's
- No maintenance or annoying dark areas due to lamp failures
- Rugged - No heat filaments or electrodes to prematurely fail through vibration & temperature variations
- Can be switched by microwave, PIR and/or photocell
 - Creates even greater energy savings when lighting not required
 - Not detrimental to LED life as it is with CFL light sources

SURFACE FITTINGS

ROBUS®

GOLF 10W AND 15W LED, 3,000K, 4,000K & 6,500K CCT SELECTABLE SURFACE FITTINGS, IP65, WHITE

	10W	15W
Product Codes:	R100LEDCCT3-01 R100LEDCCT3E-01 R100LEDCCT3S-01	R150LEDCCT3-01 R150LEDCCT3S-01 R150LEDCCT3E-01
Standard:		
Emergency:		
Microwave Sensor:		
Comparable to 2D Fluorescent (W):	28	38
Total Power (W):	11/10.8/11	15.80/15.20/16.00
Total Light Output (lm):	840/990/950	1,240/1,420/1,360
Efficacy (lm / cctW):	76/92/86	78/93/85
Rated LED Life (hrs):	50,000	50,000
Warranty (yrs):	5	5
Illuminance at 1m (lx):	270/310/300	390/450/433
Beam Angle (deg):	110	110
CCT (K):	3,000/4,000/6,500	3,000/4,000/6,500
CRI (Ra):	80	80
Emergency Light Output (lm):	180	170
Emergency Illuminance at 1m (lx):	60	60
Ingress Protection (IP):	65	65
Impact Rating (IK):	09	09
Glow Wire Rating (°C):	650	650
Operating Temperature (°C):	-20 ≤ Ta ≤ +40	-20 ≤ Ta ≤ +40
Operating Voltage (Vac):	220-240	220-240
Power Factor (PF):	0.9	0.9
Height (mm):	118	118
Diameter (mm):	330	330
Box Qty:	1	1
Weight (kg):	1.23	1.23



Cone Illuminance Diagram:

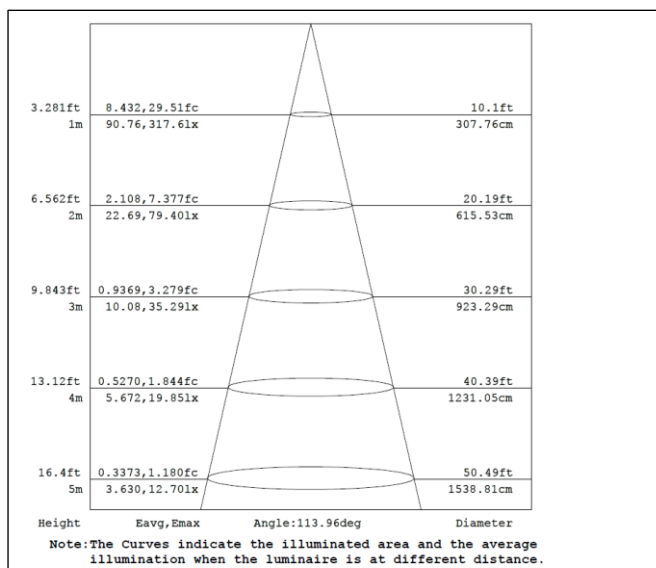


Diagram for R100LEDCCT3-01 in 4,000K. Other diagrams available on request

Accessories:

R282TRIM-03

Polished Chrome Trim

Options Available by Conversions:

R100LEDCCT3E-01SEN 10W Emergency with Microwave sensor

R150LEDCCT3E-01SEN 15W Emergency with Microwave sensor

Microwave sensor data:

Time off delay:	5s to 30m
Illuminance switching range:	Disabled, 2 lx to 50lx
Sensitivity range (%):	10, 25, 50, 75, 100
Mounting height (max):	10W at 3m, 15W at 4.5m
Detection zone diameter (max):	12m

Standards & Approvals:

Complies with: EN 60598-1, EN 60598-2-1, EN 55015, EN61547, EN 6100-3-2, EN 6100-3-3, EN 50581



Polar Intensity Diagram:

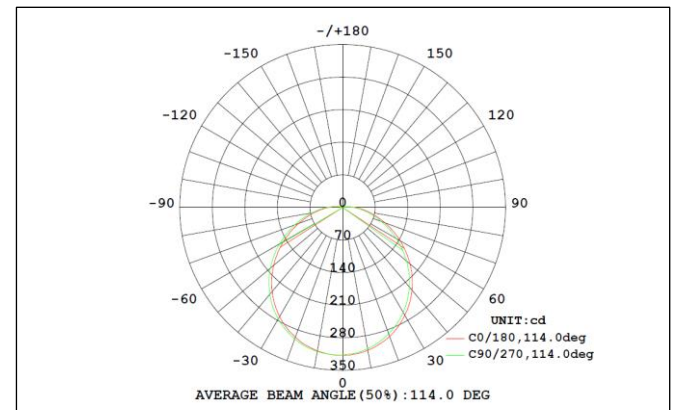


Diagram for R100LEDCCT3-01 in 4,000K. Other diagrams available on request