



LED Post Top

- Professional post-top solution with optimal light performance
- Integrates well into existing landscape
- Special optics to reduce glare to pedestrians
- Die casted aluminium body for optimal heat dissipation
- Available in two pole sizes for more application flexibility



Specifications

Item Code	Item Description	Equivalent to (W)	Power (W)	Lumen	Efficacy (lm/W)	CCT (K)	Beam angle	Compatible pole Ø	Weight (kg/pc)
543016006600	LEDPostTop-P1- 33W-4000-W	HID 50W	33	4500	135	4000	160 °	60 mm	7.68

Accessories



599000004600
LEDStreet-SE-ExtensionCable

Packaging Information

Item		Box			
Item Code	Item Description	Dimensions (mm) (LxWxH)	Gross Weight (kg)	EAN	pc/box
543016006600	LEDPostTop-P1- 33W-4000-W	530x530x285	9.40	6941408854885	1
599000004600	LEDStreet-SE-ExtensionCable	100x60x350	0.68	6956321815370	1

Technical Specifications

Lifetime (L70)	100,000 h
Lifetime (L80)	70,000 h
On-/Off-cycles	100,000
Colour consistency (SDCM)	5
Dimmability	On-Off
Finishing	Grey RAL 870-3
Colour rendering index CRI	≥ 70
Degree of protection (IP)	IP66
Impact strength	IK08
Protection class	I
With control gear	Yes
Glow wire test	850 °C
Driver failure rate (at 5,000 hrs)	0.5 %
Power factor	≥ 0.9
Surge protection	10 kV

Electrical Supply

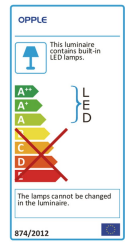
Frequency	50/60 Hz
Nominal voltage	220-240 V
	AC
DC input voltage	See Appendix 3

Mechanical Properties

Material housing	Aluminium
Optical material	Polycarbonate
Effective wind area	1590 cm ²

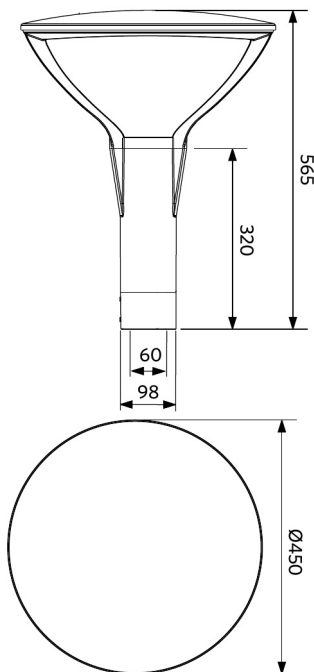
Ambient Conditions

Operating temperature	-30 ~ 50 °C
Application temperature	25 °C
Storage environment	-40 ~ 60 °C

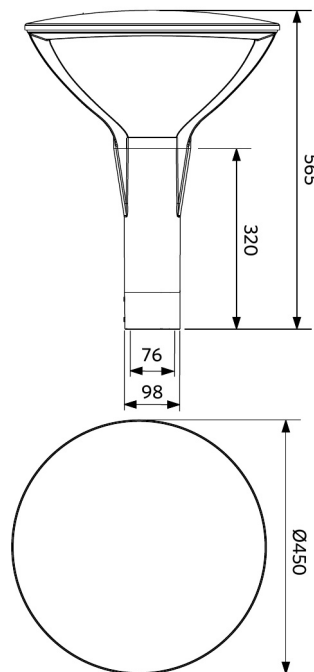


Dimensional Drawing (mm)

LEDPostTop-P1
D60



LEDPostTop-P1
D76



Photometric Data

543016006600.pdf

