

Handcrafted Outdoor Lighting
Made in Ireland

The Harte Complex
New Ross
Co. Wexford
Ireland
Y34 CR28

T: 051 421239
E: info@harteoutdoorlighting.ie

www.harteoutdoorlighting.ie



Harte Outdoor Lighting



@harteoutdoorlighting



Lighting Catalogue



MADE TO LAST



Our outdoor lighting is built to last and the cast iron in each product is guaranteed to last a lifetime.*

At Harte Outdoor Lighting, we are proud of the quality and workmanship of our products. The term “*cast iron guarantee*” is not a figure of speech for us; we want our products to enhance your property for a lifetime and beyond. Harte Outdoor Lighting Limited guarantees that, under normal conditions, the cast iron and steel elements of our products will never crack, bend, or break. Our final quality inspection guarantees that each product is faultless at the time of dispatch from our workshop.

**Please get in touch for full warranty information or check our website for details.*



Our Story

Harte Outdoor Lighting is a family run business which has been making the best quality outdoor products in New Ross, Ireland for almost 40 years. We are dedicated to quality products and great design, we use cast iron for the majority of our lights as it is strong, durable and long lasting. We pride ourselves on our customer service record and the legacy of our products over the past 40 years.

The team has undergone great expansion since its foundation by Willie Harte (*pictured right*) in 1983 but the professional ethos and focus on quality remain to this day with Liz Harte and her son Jack continuing this legacy.



Here at Harte we pride ourselves on our exceptionally high standards in design, manufacturing and customer service and have earned an excellent reputation over the past four decades in business.

CONTENTS

- Traditional..... 2
- Heritage..... 4
- Gate Lodge..... 6
- Goose Neck..... 8
- Manor 10
- Courtyard..... 12
- Station Master 14
- Bare Range..... 16
- Multi-Head Lamp Posts..... 18
- Commercial Wall Units..... 19
- Hanging Lanterns..... 20
- Sustainability 21
- Colour Options..... 22
- Poles & Bases 23
- Foundation Frames..... 24



PREMIUM OUTDOOR LIGHTING PERFECTED OVER FOUR DECADES



▲ Staff at Harte Outdoor Lighting



▲ Jack and Liz Harte

Traditional

VICTORIAN STYLE CAST IRON LIGHTING

The Traditional range has been translated and scaled down from an original lamp post design from the Victorian era. This timeless classic design will enhance any outdoor space and is versatile to all house styles and sizes.



H43



H44



H46



H7



WALL LIGHTS

H41: 970mm

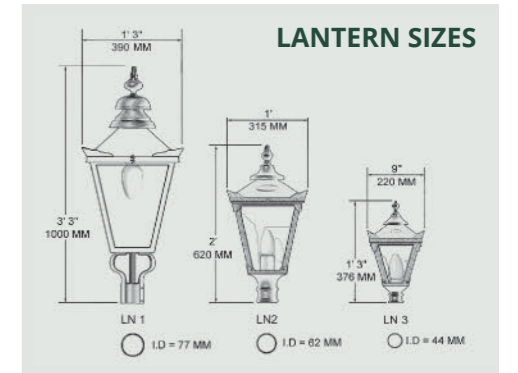
H43: 580mm

H46: 480mm



H45: 560mm
BULKHEAD LIGHT

H44: 370mm
BULKHEAD LIGHT



PIER TOPS

H51: 690mm

H52: 445mm

H53: 610mm

H54: 380mm



PEDESTAL LIGHTS

H8: 1015mm

H9: 610mm



LAMP POSTS

H1: 3556mm

H6: 2600mm

H7: 2300mm

H4: 1380mm

Heritage

VICTORIAN GLOBES IN CAST IRON

The design for the Heritage range of lighting has been taken directly from a Victorian original lamp post with a cast iron globe. This classic and unique design will add instant style and vibrancy to any outdoor area, the vintage globe and cast iron embellishments are also very versatile with many classical style properties.



H207



H243



H208



H206

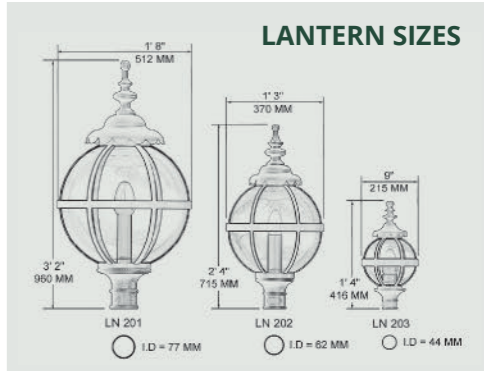


WALL LIGHTS



H241: 1050mm

H243: 593mm



PIER TOPS



H251: 787mm

H252: 475mm

H253: 714mm

H254: 420mm

PEDESTAL LIGHTS



H208: 1114mm

H209: 653mm

LAMP POSTS



H201: 3600mm

H206: 2700mm

H207: 2480mm

H204: 1411mm

Gate Lodge

CAST IRON BOLLARD LIGHTS

The Gate Lodge range of bollard lights are strong, durable and built to last. They are perfect for lighting driveways, pathways and other areas of the garden. The vintage design is available in a number of sizes depending on your requirements.

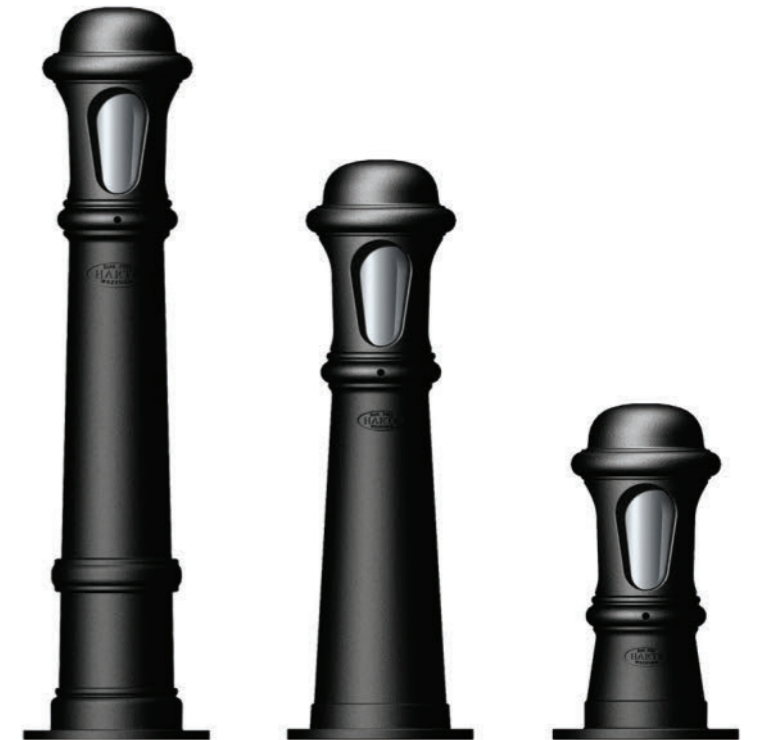
H194



H195



H193



H193

H194

H195

Code	Description	Height	Weight	Lampholder
H193	Large Bollard Light	950mm	35Kg	E 27 (Screw in)
H194	Medium Bollard Light	700mm	25Kg	E 27 (Screw in)
H195	Small Bollard Light	430mm	12Kg	E 27 (Screw in)



H195

Goose Neck

VINTAGE OUTDOOR LIGHTING

The Goose Neck range as the name suggests is based on the organic curve from the old farmyard Goose neck. The vintage design of the range is really flexible to a wide range of customer needs from placing along winding driveways to highlighting a corner of the garden. This Goose Neck range is also available with hand spun copper heads too.



H508 Copper



H507 Copper



H345



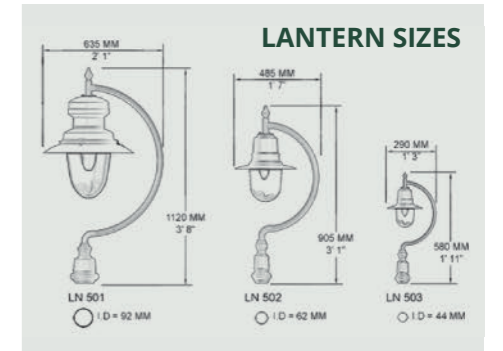
H501



WALL LIGHTS

H346: 910mm

H345: 460mm



PIER TOPS

H551: 980mm

H552: 640mm

H553: 910mm

H554: 584mm



PEDESTAL LIGHTS

H508: 1309mm

H509: 815mm



LAMP POSTS

H501: 3720mm

H506: 2800mm

H507: 2495mm

H504: 1550mm

Manor

CAST IRON VICTORIAN LIGHTING

The design for the Manor range is based on outdoor lighting from the Victorian era and is an extension of our own popular Traditional Park range. This classic design will enhance any outdoor space and is versatile to many different house styles.



H801



H2813



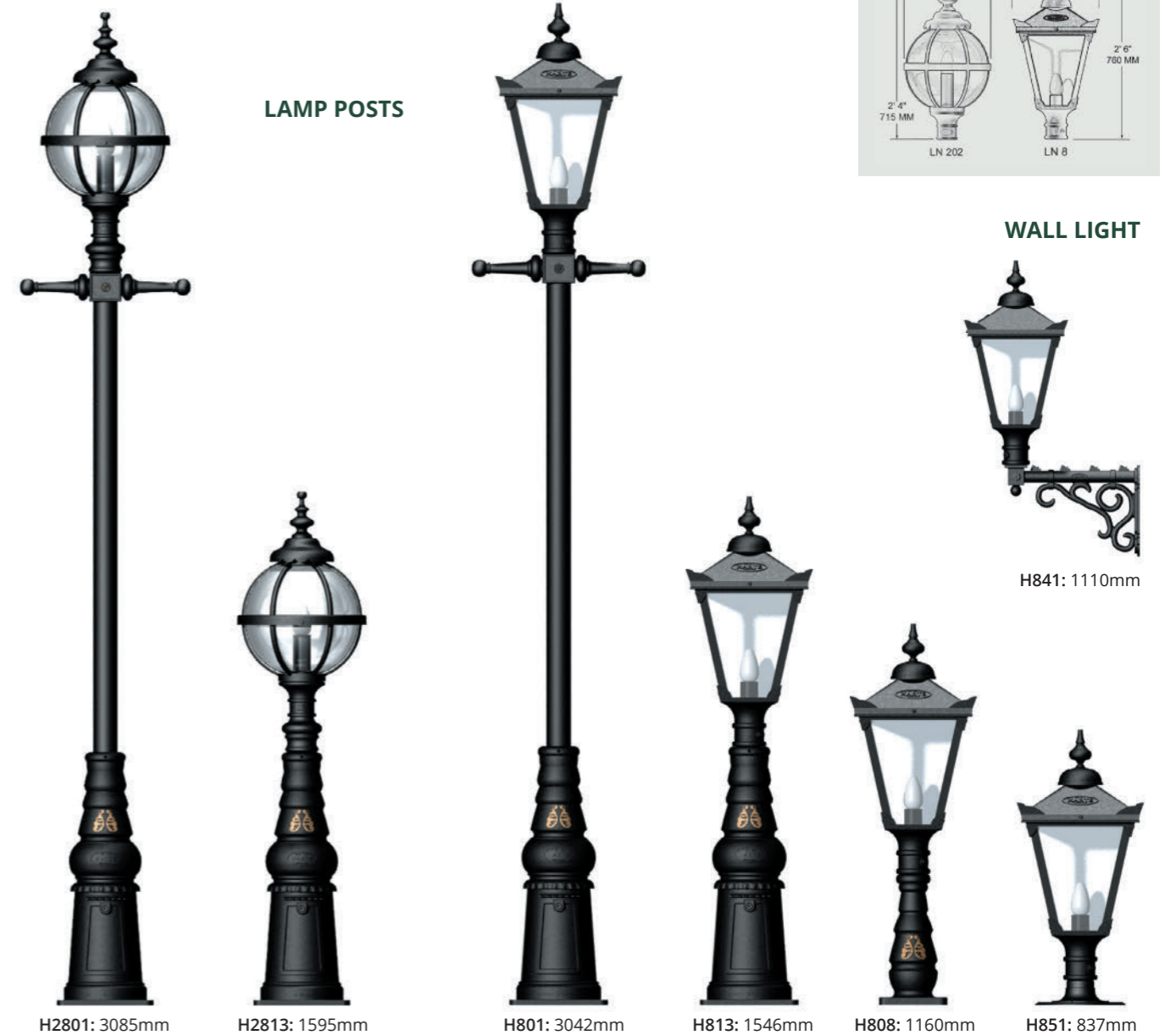
H801



H2801



LAMP POSTS



H2801: 3085mm

H2813: 1595mm

H801: 3042mm

H813: 1546mm

H808: 1160mm

H851: 837mm

WALL LIGHT



H841: 1110mm

Courtyard

GEORGIAN STYLE OUTDOOR LIGHTING

Inspired by the classical and functional features originating from the Georgian era, the cylindrical design from the Courtyard range allows for maximum lighting spread through the polycarbonate glazing while the ornate capping encloses the light source, reduces light pollution and reflects the light spread downwards.



H407



H407



H443



H451

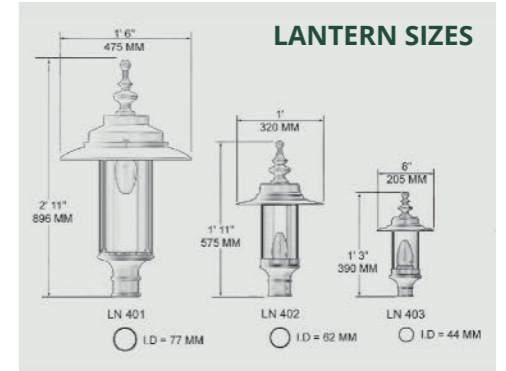


WALL LIGHTS



H441: 940mm

H443: 580mm



PIER TOPS



H451: 650mm

H452: 450mm

H453: 580mm

H454: 390mm

PEDESTAL LIGHTS



H408: 980mm

H409: 623mm

LAMP POSTS



H401: 3500mm

H406: 2550mm

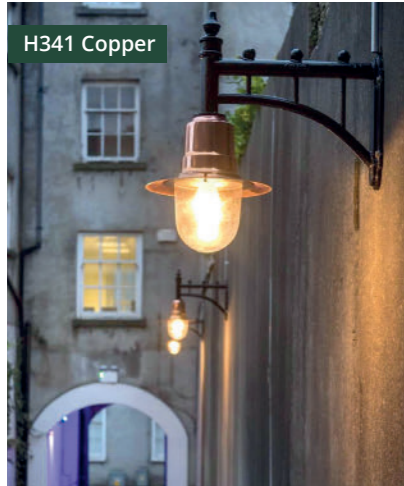
H407: 2215mm

H404: 1390mm

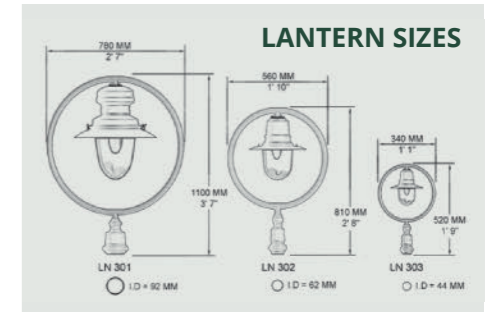
Station Master

CLASSICAL RAILWAY INSPIRED LIGHTING

The design for our Station Master range is a replica of the lighting found in old Irish railway stations from the late 1800s when electricity was first introduced around Ireland. The vertical columns and circular forms can add a real sense of character to any outdoor area as a statement piece while the wall lights from the range can work in many locations around the home or public space.



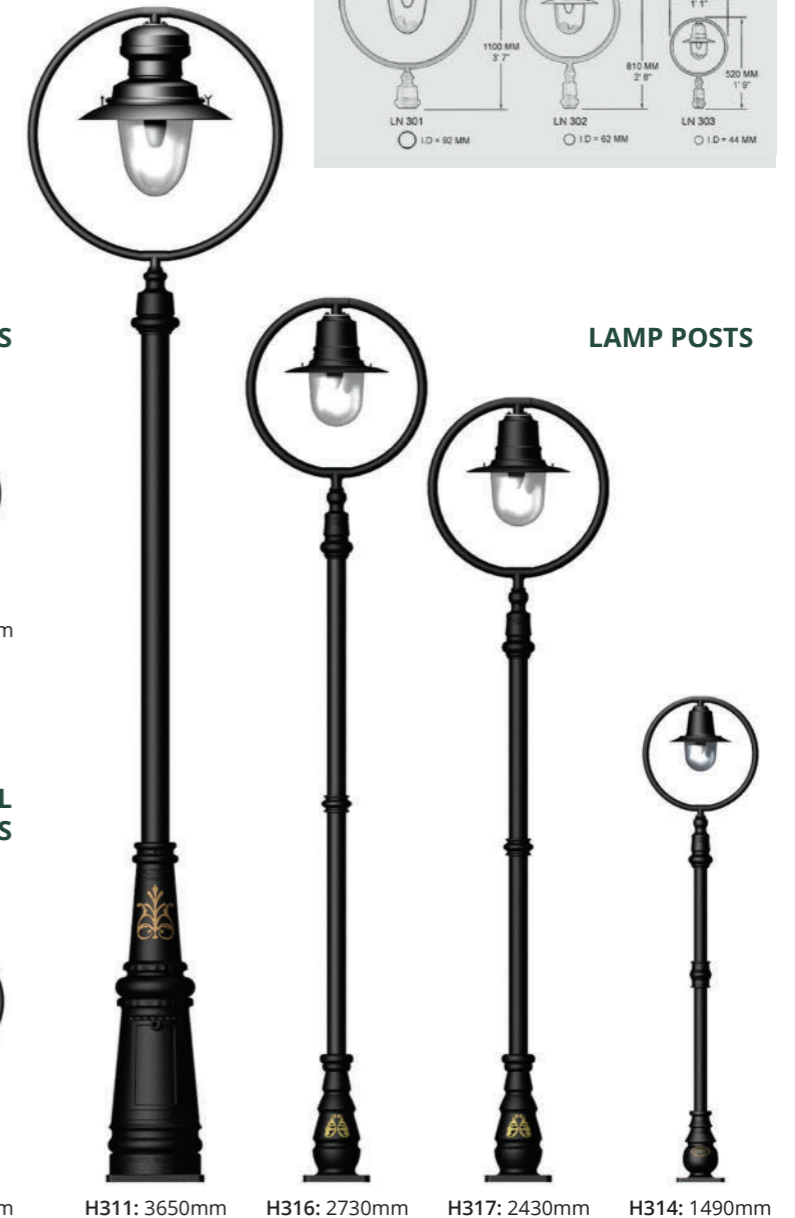
WALL LIGHTS



PIER TOPS



LAMP POSTS



PEDESTAL LIGHTS



BARE

CONTEMPORARY OUTDOOR LIGHTING

The BARE range was designed in house by Jack Harte and was created with the modern home in mind. The clean lines and sharp angles of the lantern mimic the shape of an interior light stand and lampshade. BARE lights are an ideal product to enhance your outdoor areas into the night.



BR1



BR2



BRW3



BRW1



LAMP POSTS

WALL LIGHTS



BR1: 2700mm



BR2: 1830mm



BRW1: 780mm



BRW2: 500mm



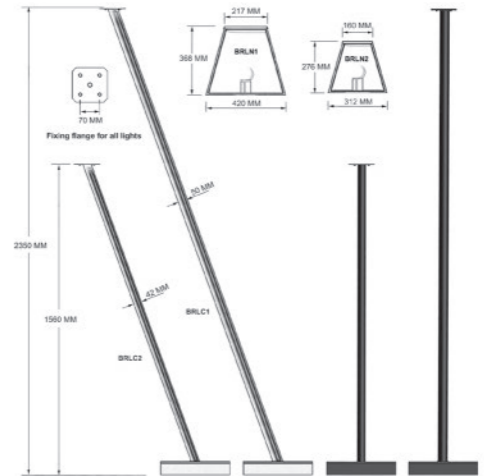
BRW3: 285mm



BRW4: 285mm

LANTERN SPECIFICATIONS

Materials: Galvanised Mild Steel
 Glazing: Clear Glass
 Lamp Holder: E27 (Screw-In)
 Classification: IP44 / CE Marked
 Finish: Black, other colours available



POLE SPECIFICATIONS

Materials: Galvanised Steel
 Finish: Black, other colours available
 Direction: Available as a straight lamp post or at an angle

PEDESTAL LIGHTS



BRP1: 525mm

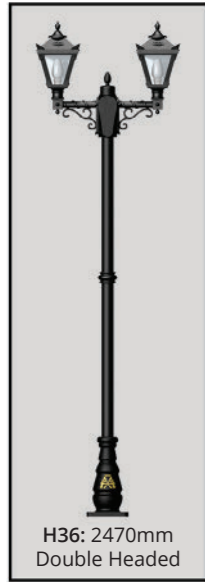


BRP2: 380mm

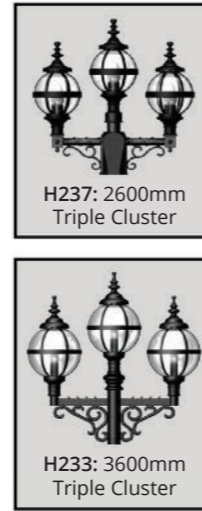
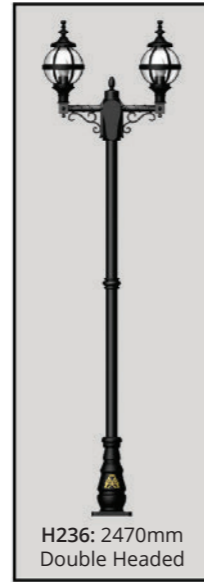
MULTI-HEAD LAMP POSTS



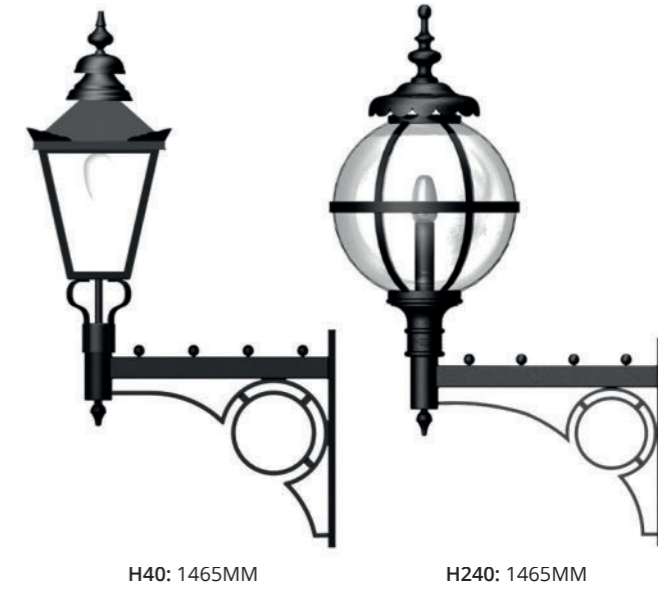
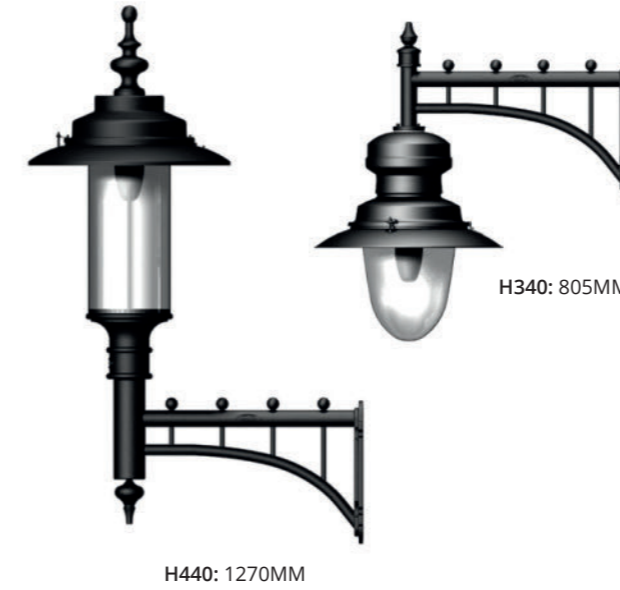
TRADITIONAL MULTI-ARM



HERITAGE MULTI-ARM



COMMERCIAL WALL UNITS



HANGING LANTERNS



	Traditional		Heritage		Station Master	
Product	H22	H23	H222	H223	H322	H323
Height	900mm	625mm	950mm	650mm	630mm	510mm
Chain Length	300mm	300mm	300mm	300mm	300mm	300mm



SUSTAINABILITY

As a company we're very sensitive to the changing world around us. We strive to source all our products, parts and packaging from quality and sustainable sources. Our workshop and offices in New Ross are also run on solar energy during daylight hours



"Buy less, choose well, make it last."
- VIVIENNE WESTWOOD



Our lights are built to last and we're proud to offer a full refurbishment service on any of our products. Give your old lights a new life, get in touch to find our more.



COLOUR OPTIONS



We're passionate about paint! We've invested time and resources into sourcing and mixing only the best paint.

We can also finish to a chosen colour from the RAL colour range at an additional cost. Get in touch for more information.

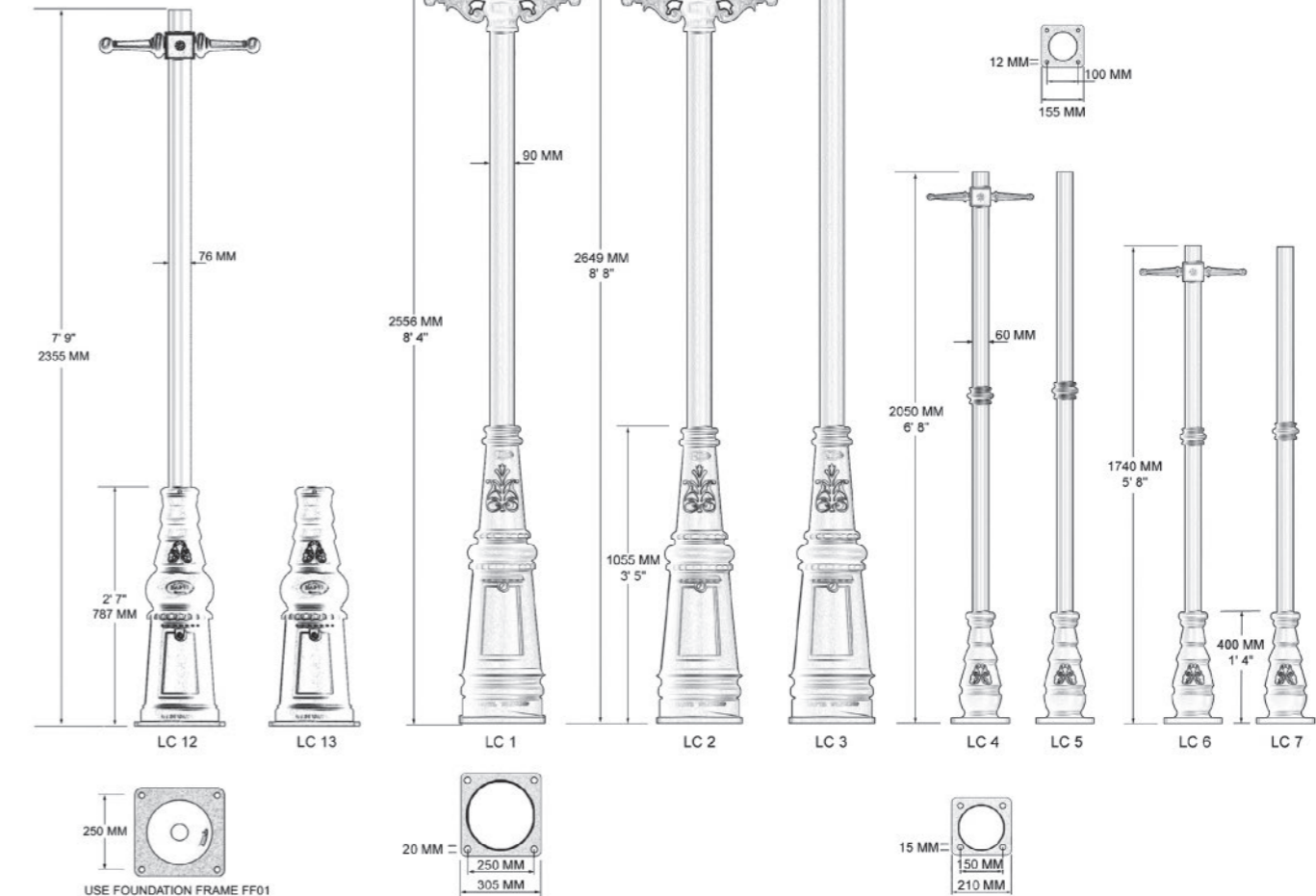
PEARLIZED COLOUR RANGE

We've selected a number of premium 'pearlized' colours from our paint supplier that are unique and still carry the same quality. See our colour chart from more information.

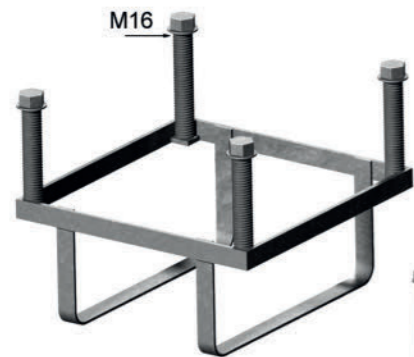
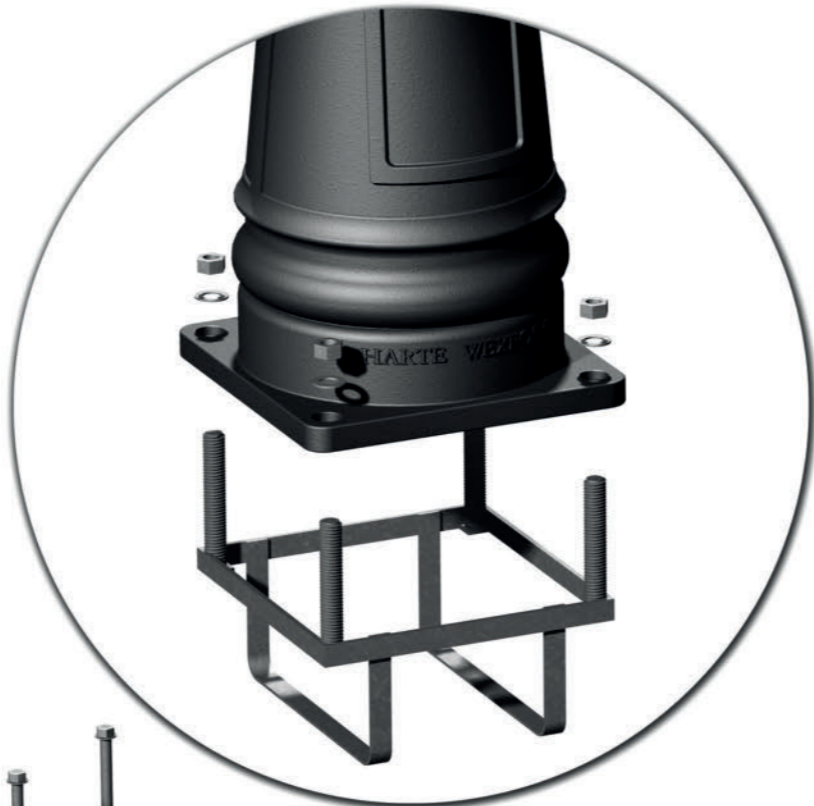
PEARL BLUE (RAL 5025)	PEARL GREY (RAL 7048)
PEARL GREEN (RAL 6035)	PEARL GOLD (RAL 1036)



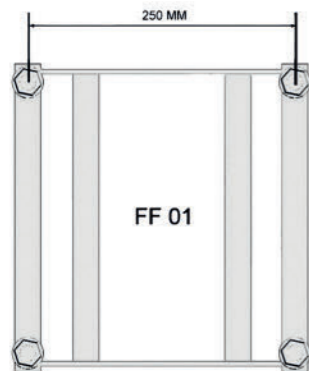
POLES & BASES



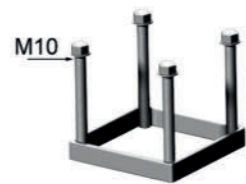
FOUNDATION FRAMES



FF 01
HEIGHT: 240 MM
Leave 55 MM
from top of nut to finished
concrete level



FF 02
HEIGHT: 200 MM
Leave 45 MM
from top of nut to finished
concrete level



FF 03
HEIGHT: 120 MM
Leave 35 MM
from top of nut to finished
concrete level

