

COMPANY BOLLARD UP&DOWN BULKHEAD FLOODLIGHT IN-GROUND BRICKLIGHT GARDEN URBAN CLASSIC URBAN MODERN HIGH-BAY POST LAMPS REFERENCES

TOBIA E27

LARGE SIZE



E27 square lantern in classic style, made of shockproof resin material, UV-rays stabilized, rust and corrosion-free. Modular construction suitable for post top, hanging and wall installation. Provided with high temperature resistant ceiling suitable for ballast fixation. Insulation class II, protection rating IP 55.

Lanterna quadra E27 in stile classico, realizzata in resina antiurto, stabilizzata ai raggi UV, inattaccabile da ruggine e corrosione. Idonea per il montaggio a palo, a sospensione o a parete. Fornita con soffitto ad alta resistenza al calore idoneo per il fissaggio dei reattori. Classe di isolamento II, grado di protezione IP55.



Q33.000.N2R

E27 FILAMENT LED

INDOOR & OUTDOOR USE

+80°C
-30°

90% HUMIDITY

VOLTAGE SURGE RESISTANT

DRIVER SILICONE PROTECTION





TOBIA E27 - LANTERN COMPONENTS

IP55



Decorative **PINNACLE** to be mounted on the roof top for post installation or on the lantern base for hanging installation.

PINNACOLO decorativo applicabile alla sommità del tetto (montaggio a palo) o sulla base della gabbia (montaggio a sospensione).

Lantern **ROOF** made of shockproof resin material. Tool-free opening for relamping and maintenance.

TETTO realizzato in resina antiurto. Removibile senza l'ausilio di attrezzi per manutenzione e cambio lampadina.

High temperature resistant reflective **CEILING** made of shockproof resin material. Provided with E27 lampholder and suitable for ballast fixation.

SOFFITTO riflettente realizzato in resina antiurto ad alta resistenza al calore. Fornito completo di portalamпада E27 e idoneo per il fissaggio dei reattori.

DIFFUSER of UV-rays stabilized PMMA, with recess for a power supply cable. One piece only closed at the base to ensure high protection against external agents.

DIFFUSORE in PMMA resistente ai raggi UV, provvisto di sede per l'alloggiamento del cavo di alimentazione. Realizzato in unico pezzo chiuso alla base per garantire un alto livello di protezione contro gli agenti esterni.

CAGE made of shockproof resin material, UV-rays stabilized, rust and corrosion-free.

GABBIA realizzata in resina antiurto, stabilizzata ai raggi UV, inattaccabile da ruggine e corrosione.

TOBIA E27

Q33.000 *



Dimensions and weight

Height: 520 mm
Width: 330 mm
Depth: 330 mm
Weight: 3,8 Kg
Junction to support: diameter 60 mm
Area exposed to wind pressure:
C x S = m² 0,089

Moulded colours:

Black White

Painted colours:

Antique green Antique bronze

Diffuser PMMA:

Clear Opal

E27



E27 lantern supplied as an option with TÜV approved, long-life and efficient **LED filament lamps suitable for outdoor use.**

Metal plate for ballast fixation available as an option (H.BAL.PLT)

Suitable lamps: CFL-LED-SON-HQI MAX 70W		E27 lampholder only		*ADD. SUFFIX .E27	
	8W	1000 Lm	4000 K 2700 K	.M1L .M1R	
	12W	1500 Lm	4000 K 2700 K	.N1L .N1R	

2x E27



2x E27 lantern provided as an option with TÜV approved, long-life and efficient **LED filament lamps suitable for outdoor use.** Version with daylight and motion sensor available.

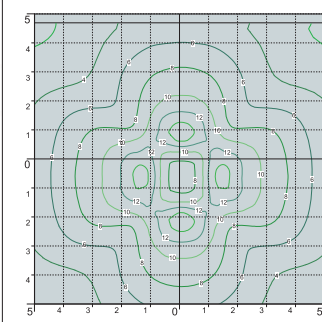
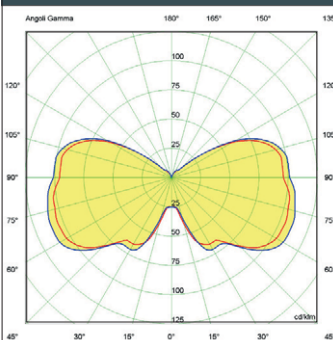
Suitable lamps: CFL-LED max 160 mm		2x E27 lampholder only		*ADD. SUFFIX .E28	
	2x 8 W 16W	2000 Lm	4000 K 2700 K	.M2L .M2R	
	2x 12 W 24W	3000 Lm	4000 K 2700 K	.N2L .N2R	

LED LAMPS

More technical details about TÜV approved Fumagalli LED Lamps on page 512.

* ADD THESE SUFFIXES TO THE REFERENCES MENTIONED IN THE CATALOGUE

PHOTOMETRIC DATA SAMPLE



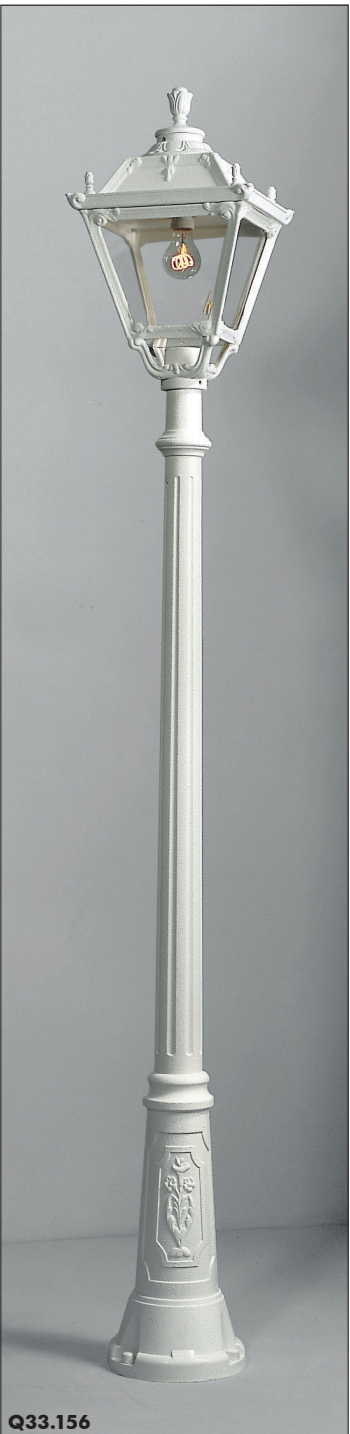
TOBIA lantern clear SON 70W.

POST height 3.5mt
10 x 10mt area: average 11 lux

The photometric data for all the versions are available upon request or on our website.

TOBIA

LARGE SIZE





OFIR/TOBIA
Q33.132
GX53 Q35.132
Pcs 1
Kg 5,6
mc 0,061

EVA/TOBIA
Q33.181
GX53 Q35.181
Pcs 1
Kg 12,3
mc 0,168

TOBIA
Q33.000
GX53 Q35.000
Pcs 1
Kg 4,6
mc 0,043

LOT/TOBIA
Q33.113
GX53 Q35.113
Pcs 1
Kg 5,8
mc 0,061

MIRRA/TOBIA
Q33.142
GX53 Q35.142
Pcs 1
Kg 10,9
mc 0,083

SICHEM/TOBIA
Q33.121
GX53 Q35.121
Pcs 1
Kg 5,4
mc 0,061

RICU/TOBIA
Q33.157
GX53 Q35.157
Pcs 2
Kg 29,2
mc 0,334

GIGI/TOBIA
Q33.156
GX53 Q35.156
Pcs 2
Kg 27,7
mc 0,304

ARTU'/TOBIA
Q33.158
GX53 Q35.158
Pcs 2
Kg 24,7
mc 0,273

ALOE'/TOBIA
Q33.163 resin
GX53 Q35.163 resin
Pcs 2
Kg 15,2
mc 0,208

IAFET.R/TOBIA
Q33.162 resin
GX53 Q35.162 resin
Pcs 2
Kg 14,5
mc 0,179

COMPANY
BOLLARD
UP&DOWN
BULKHEAD
FLOODLIGHT
IN-GROUND
BRICKLIGHT
GARDEN
URBAN CLASSIC
URBAN MODERN
HIGH-BAY
POST
LAMPS
REFERENCES

NEBO/TOBIA

LARGE SIZE



Q33.201.Q1L



Q33.142



Q33.201.R20



Q33.201.R30

MADE IN ITALY



NEBO OFIR/TOBIA 2L
Q33.201.R20

GX53 Q35.201.R20

Pcs 1
Kg 31,8
mc 0,268

NEBO OFIR/TOBIA 3L
Q33.201.R30

GX53 Q35.201.R30

Pcs 1
Kg 36,5
mc 0,342

NEBO/TOBIA
Q33.201

GX53 Q35.201

Pcs 1
Kg 25,6
mc 0,196

NEBO OFIR/TOBIA 2L
Q33.201.R20

GX53 Q35.201.R20

Pcs 1
Kg 31,9
mc 0,268

NEBO OFIR/TOBIA 3L
Q33.201.R30

GX53 Q35.201.R30

Pcs 1
Kg 36,5
mc 0,342

TABOR/TOBIA

LARGE SIZE





TABOR OFIR/TOBIA 2L
Q33.204.R20
GX53 Q35.204.R20

Pcs 1
Kg 36,5
mc 0,295

850

3130

2

TABOR OFIR/TOBIA 3L
Q33.204.R30
GX53 Q35.204.R30

Pcs 1
Kg 41,1
mc 0,369

890

3130

3

TABOR/TOBIA
Q33.204
GX53 Q35.204

Pcs 1
Kg 30,1
mc 0,223

330

3460

2

Ø 275

TABOR OFIR/TOBIA 2L
Q33.204.R20
GX53 Q35.204.R20

Pcs 1
Kg 36,5
mc 0,295

850

3560

2

Ø 275

TABOR OFIR/TOBIA 3L
Q33.204.R30
GX53 Q35.204.R30

Pcs 1
Kg 41,1
mc 0,369

890

3560

3

Ø 275

HOREB/TOBIA

LARGE SIZE





HOREB ADAM/TOBIA 1L
Q33.207.M10
GX53 Q35.207.M10

Pcs 1
Kg 34,5
mc 0,280

ADAM/TOBIA
Q33.171
GX53 Q35.171

Pcs 1
Kg 6,1
mc 0,083

HOREB ADAM/TOBIA 2+1
Q33.207.M21
GX53 Q35.207.M21

Pcs 1
Kg 46,4
mc 0,404

HOREB/TOBIA
Q33.207
GX53 Q35.207

Pcs 1
Kg 32,6
mc 0,249

Ø 275

HOREB ADAM/TOBIA 3+1
Q33.207.M31
GX53 Q35.207.M31

Pcs 1
Kg 52,4
mc 0,476

Ø 275

HOREB ADAM/TOBIA 3L
Q33.207.M30
GX53 Q35.207.M30

Pcs 1
Kg 47,8
mc 0,414

HOREB ADAM/TOBIA 2L
Q33.207.M20
GX53 Q35.207.M20

Pcs 1
Kg 41,8
mc 0,342

COMPANY
BOLLARD
UP&DOWN
BULKHEAD
FLOODLIGHT
IN-GROUND
BRICKLIGHT
GARDEN
URBAN CLASSIC
URBAN MODERN
HIGH-BAY
POST
LAMPS
REFERENCES

KARMEL 3000/TOBIA

LARGE SIZE



Q33.231.R20.Q1L



Q33.231.R30



Q33.231



MADE IN ITALY



KARMEL 3000 OFIR/TOBIA 2L
Q33.231.R20
GX53 Q35.231.R20
Pcs 1
Kg 36,5
mc 0,295

850
3130
2

KARMEL 3000 OFIR/TOBIA 3L
Q33.231.R30
GX53 Q35.231.R30
Pcs 1
Kg 41,1
mc 0,369

850
3130
3

KARMEL 3000/TOBIA
Q33.231
GX53 Q35.231
Pcs 1
Kg 30,1
mc 0,223

330
3460
1
Ø 275
Ø 275

KARMEL 3000 OFIR/TOBIA 2L
Q33.231.R20
GX53 Q35.231.R20
Pcs 1
Kg 36,5
mc 0,295

850
3560
2
Ø 275

KARMEL 3000 OFIR/TOBIA 3L
Q33.231.R30
GX53 Q35.231.R30
Pcs 1
Kg 41,1
mc 0,369

890
3560
3
Ø 275

COMPANY
BOLLARD
UP&DOWN
BULKHEAD
FLOODLIGHT
IN-GROUND
BRICKLIGHT
GARDEN
URBAN CLASSIC
URBAN MODERN
HIGH-BAY
POST
LAMPS
REFERENCES

KARMEL 3500-4000/TOBIA

LARGE SIZE



Q33.234.M21.Q1L



Q33.171



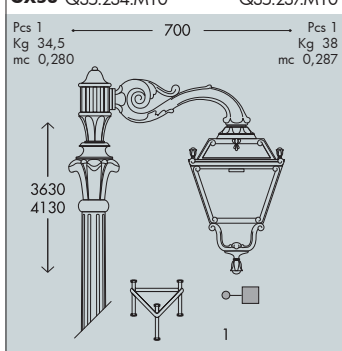
Q33.234.M20.Q1L



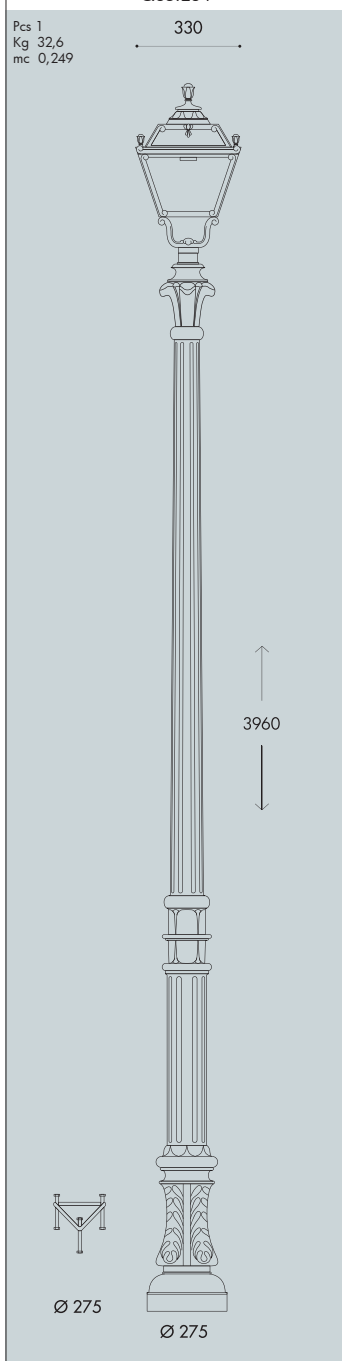
MADE IN ITALY



KARMEL 3500 ADAM/TOBIA 1L	KARMEL 4000 ADAM/TOBIA 1L
Q33.234.M10	Q33.237.M10
GX53 Q35.234.M10	Q35.237.M10
Pcs 1 Kg 34,5 mc 0,280	Pcs 1 Kg 38 mc 0,287

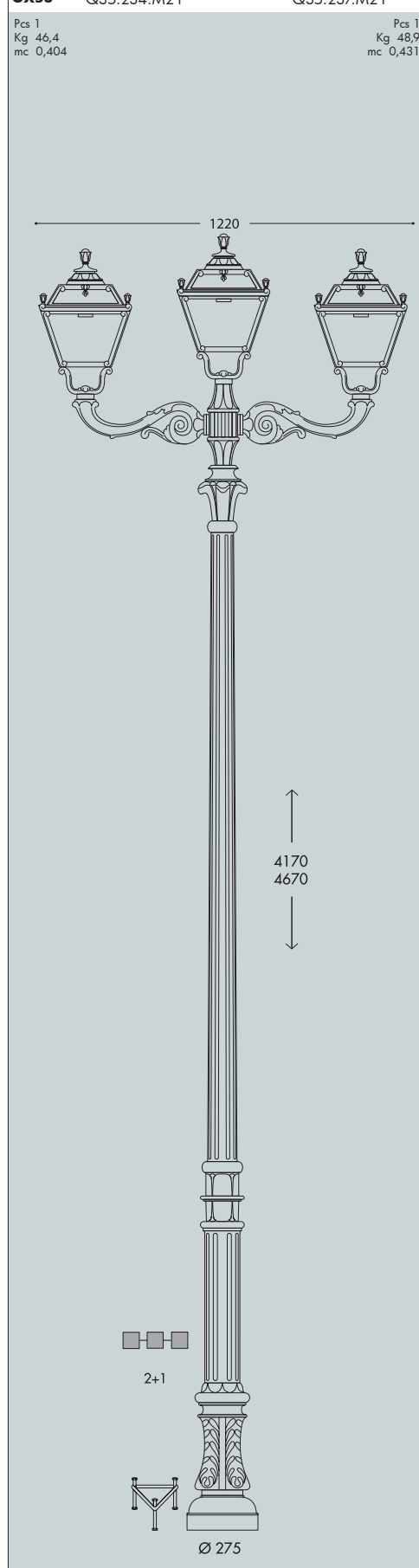


KARMEL 3500/TOBIA
Q33.234
GX53 Q35.234
Pcs 1 Kg 32,6 mc 0,249



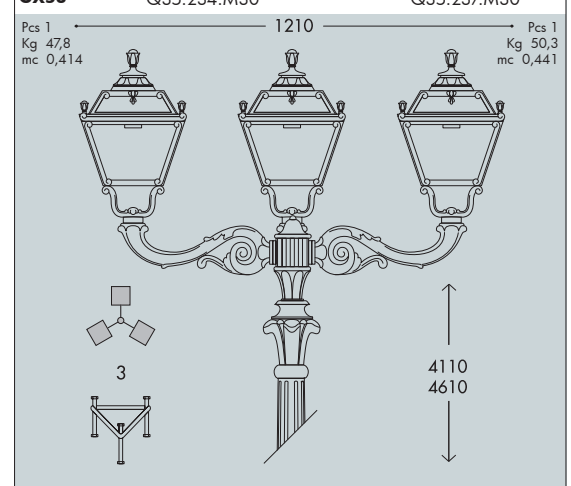
3960
Ø 275

KARMEL 3500 ADAM/TOBIA 2+1	KARMEL 4000 ADAM/TOBIA 2+1
Q33.234.M21	Q33.237.M21
GX53 Q35.234.M21	Q35.237.M21
Pcs 1 Kg 46,4 mc 0,404	Pcs 1 Kg 48,9 mc 0,431



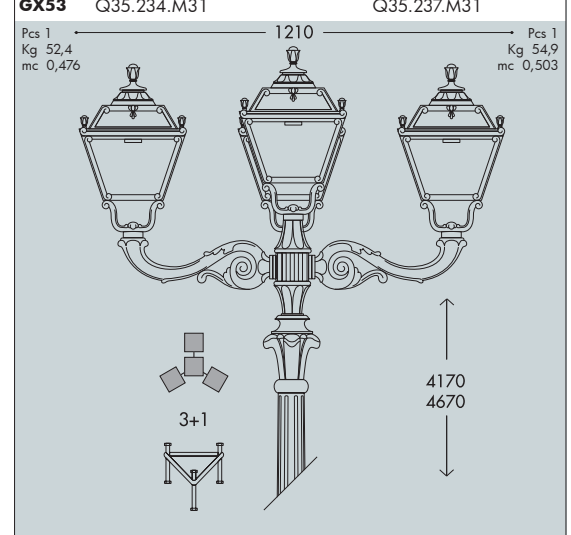
1220
4170
4670
2+1
Ø 275

KARMEL 3500 ADAM/TOBIA 3L	KARMEL 4000 ADAM/TOBIA 3L
Q33.234.M30	Q33.237.M30
GX53 Q35.234.M30	Q35.237.M30
Pcs 1 Kg 47,8 mc 0,414	Pcs 1 Kg 50,3 mc 0,441



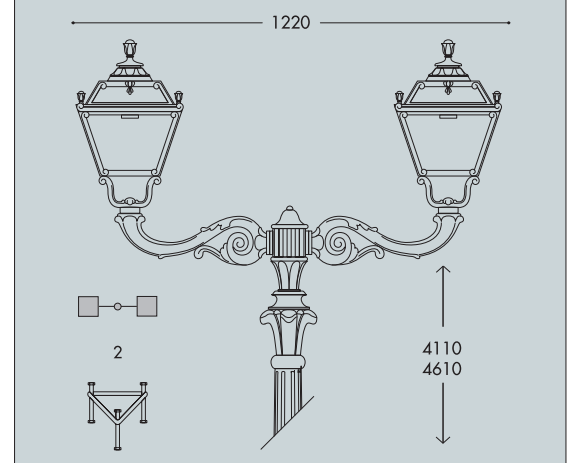
1210
4110
4610
3

KARMEL 3500 ADAM/TOBIA 3+1	KARMEL 4000 ADAM/TOBIA 3+1
Q33.234.M31	Q33.237.M31
GX53 Q35.234.M31	Q35.237.M31
Pcs 1 Kg 52,4 mc 0,476	Pcs 1 Kg 54,9 mc 0,503



1210
4170
4670
3+1

KARMEL 3500 ADAM/TOBIA 2L	KARMEL 4000 ADAM/TOBIA 2L
Q33.234.M20	Q33.237.M20
GX53 Q35.234.M20	Q35.237.M20
Pcs 1 Kg 41,8 mc 0,342	Pcs 1 Kg 44,3 mc 0,369



1220
4110
4610
2